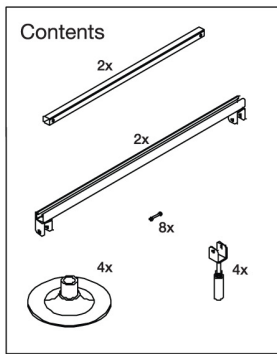
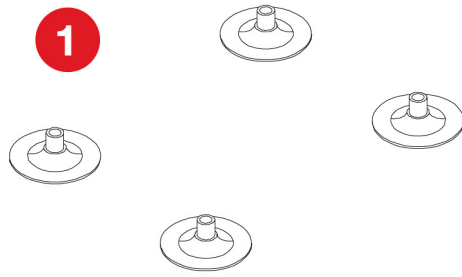


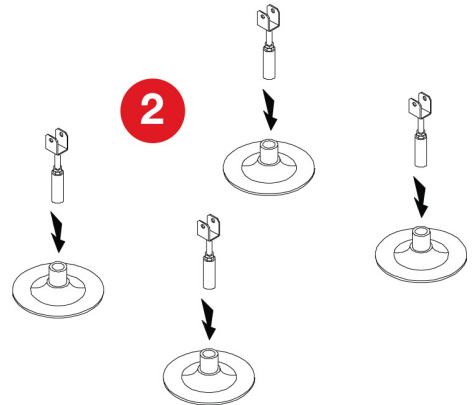
Sure-Foot installation instructions



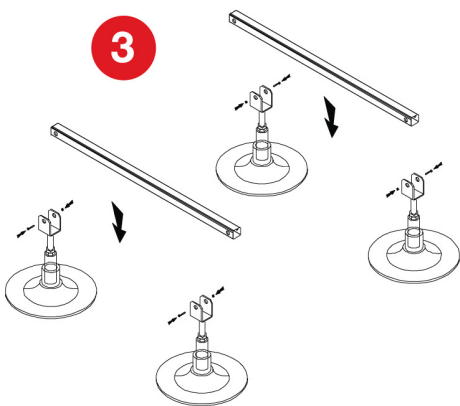
1



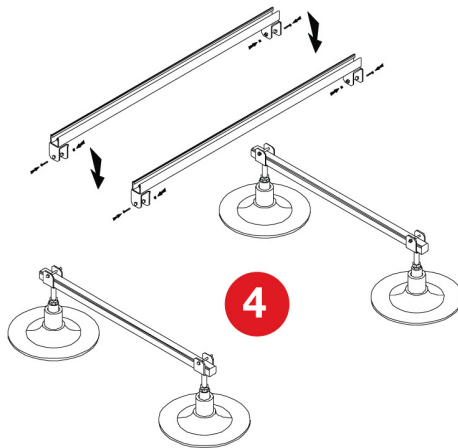
2



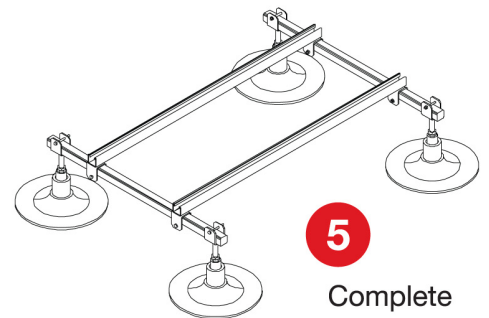
3



4

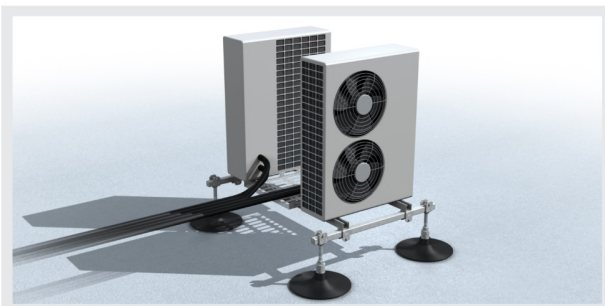


5



Complete

Base Frame



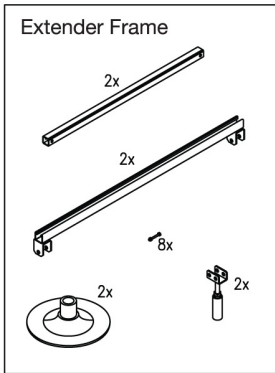
Strut beam	Box beam	Min Height	Max Height
1200mm	1200mm	280	405

Extender Frame

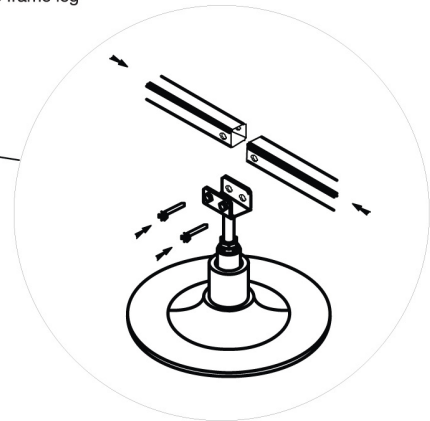
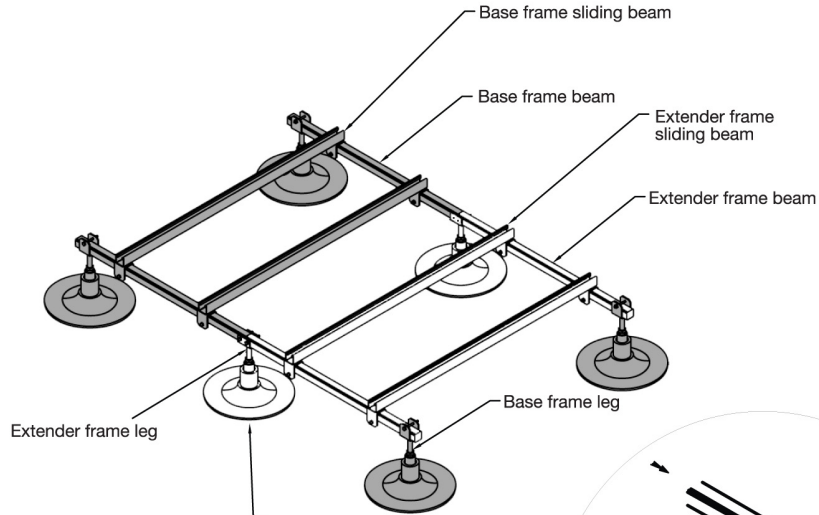


Strut beam	Box beam	Min Height	Max Height
1200mm	1200mm	280	405

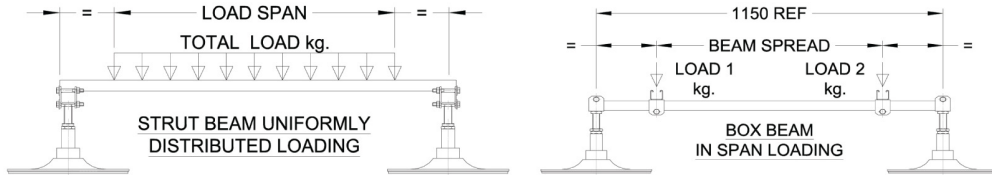
Extender Frame installation



■ Denotes base frame kit.
 □ Denotes extender frame kit.
 To extend base frame simply detach one set of legs and insert the extender legs.



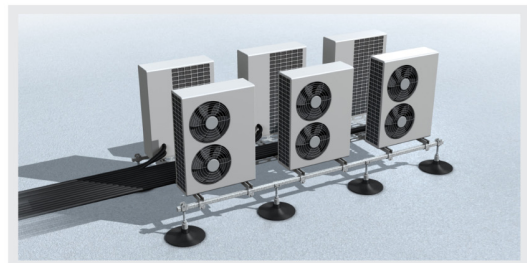
Beam Loading Table



MAX. LOAD kg.	LOAD SPAN mm.	Note! Minimum Span
200	300	
210	400	
235	600	
285	900	
350	1200	

MAX. LOAD kg. each	BEAM SPREAD min. mm.	Note! Minimum Spread
100	50	
105	150	
117.5	250	
142.5	300	
175	450	

Each Sure-Foot BASE FRAME will support 500Kg. However, the installer must satisfy themselves that: a) the load is stable and spread evenly across the frame b) the roof onto which the frame is being mounted can support the point loads of frame and the equipment through the 380mm diameter feet.



We can accept no liability for any damage caused by the incorrect application or installation of this product.