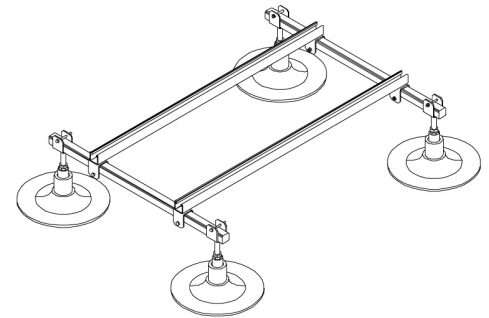
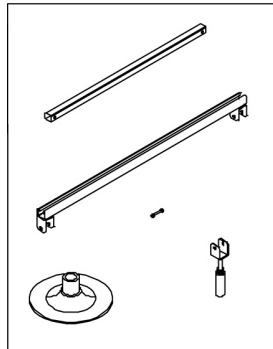


Typical Layout Arrangements

Base Frame Layout

The base frame can be used as a free standing support framework for a single VRV/VRF condenser or typically two split condensing units back to back. The base frame can accommodate a max support load of 500kg.

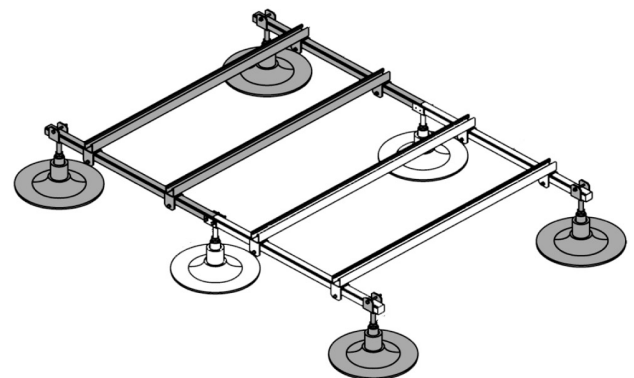
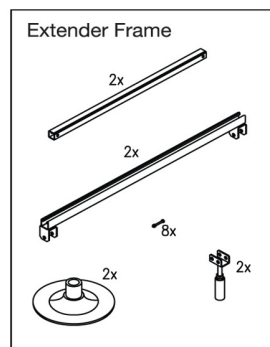
The base frame also acts as the central support for larger installations utilising the extender frame kit.



Extender frame layouts

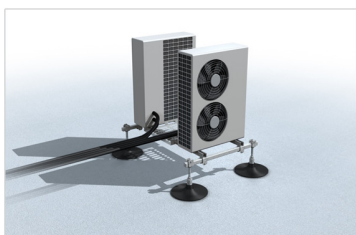
The Sure-Foot modular framework permits the simple and quick extensions to the base frame for larger services installations. By simply removing the base frame foot and leg from one end of the support and attaching the extender frame beams and leg, the supports can be installed in minutes.

The extension frame kit is perfect for the continuous installation of condenser banks, where contractors can build the supports as they go or add on later in the installation.



■ Denotes base frame kit.
□ Denotes extender frame kit.
To extend base frame simply detach one set of legs and insert the extender legs.

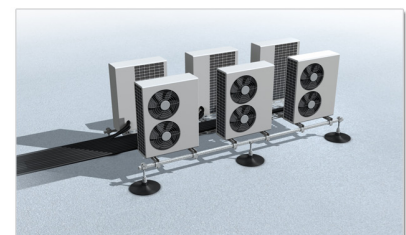
Intended services installation	Typical Specification		
	SF-BF	SF-EF	
2 no. condenser units or 1 no. VRV/VRF unit	1	0	Image Ref: 1
4 no. condenser units or 2 no. VRV/VRF units	1	1	Image Ref: 2
6 no. condenser units or 3 no. VRV/VRF units	1	2	Image Ref: 3
8 no. condenser units or 4 no. VRV/VRF units	1	3	



1. Base frame supporting condensers



2. Base frame + 1.no extender frame



3. Base frame + 2.no extender frames